



# Serenade™ Single-Cup Brewer


## Pre-Installation Checklist

**THIS FORM MUST BE COMPLETED AND RETURNED TO YOUR NCP SL REPRESENTATIVE BEFORE INSTALLATION WILL BE SCHEDULED**

- The installation visit includes: machine set-up, calibration and customer training for any number of employees.

### 120 VOLT - ELECTRICAL REQUIREMENTS

SINGLE PHASE WIRES – 1 HOT, 1 NEUTRAL and 1 GROUND

Recommended Outlet	Volts	Max Amp Draw	Breaker
 NEMA 5-15R	120	14.2amps	15amps
BREWING CAPACITIES (approx.):		<u>8oz Cups Per Hour</u> 50	

### PLUMBING REQUIREMENTS

#### Inlet Water Fitting

1/4" Male Flare Fitting  
(copper or flex)

#### Maximum Input Pressure

20-90 PSI

Brewer must be connected to a DEDICATED cold water line with a shut off valve. Distance from the brewer must not exceed 5 feet.

Please be aware that some local ordinances require a back flow preventer. Your local plumber should know the most current codes. NCP SL does not supply a back flow preventer.

### WATER FILTRATION

To ensure that the coffee brewed by our customers meets Starbucks' quality standards, water filtration is required for each brewer. At the time of installation, a technician will install a water filtration system and initial water filter cartridge for each brewer. Regular changing of the filter is the responsibility of the customer.

### MACHINE DIMENSION AND WEIGHT SPECIFICATION

#### Machine Height

49"  
(includes 9" for clearance)

#### Machine Width

24"  
(includes 4" for clearance)

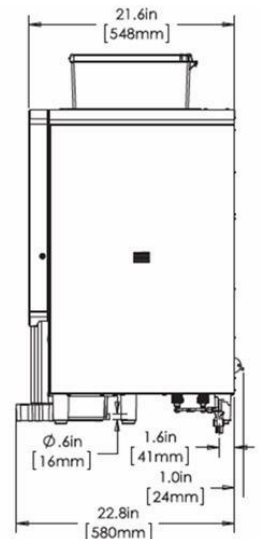
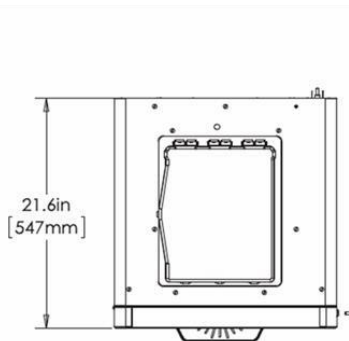
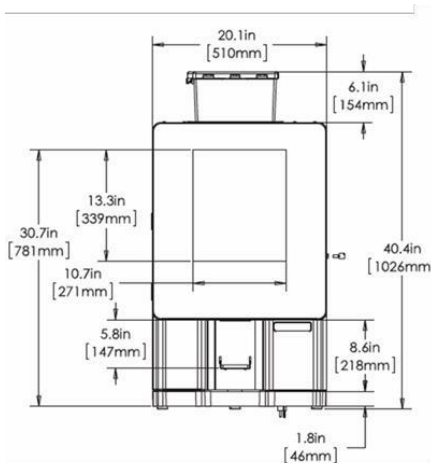
#### Machine Depth

24"  
(includes 1" for clearance)

#### Machine Weight w/ Water

200lbs

\*\* Installers are not permitted to remove cabinetry/shelving or alter customer property in any way.





# Serenade™ Single-Cup Brewer

## Pre-Installation Checklist

### CABINERY WILL CABINETS BE NEEDED?

Base Cabinet (22" x 24" x 27")	<input type="checkbox"/> Yes	<input type="checkbox"/> Not Needed	Larger Cabinet (37.5" x 24" x 27")	<input type="checkbox"/> Yes	<input type="checkbox"/> Not Needed
-----------------------------------	------------------------------	-------------------------------------	---------------------------------------	------------------------------	-------------------------------------

### WASTE CHUTE & WASTE BIN OPTIONS

Utilizing the Waste Chute?	<input type="checkbox"/> Yes	<input type="checkbox"/> No	If using the waste chute without a cabinet, is a properly placed hole in the countertop available to support the waste chute	<input type="checkbox"/> Yes
----------------------------	------------------------------	-----------------------------	--	------------------------------

### SERENADE SET UP OPTIONS

To help speed up the Serenade installation and the initial machine set up process, please select the desired brewer configurations from the choices below. The installation technician will configure your brewer based on these selections.

### MACHINE BRANDING SELECT ONE

Starbucks       Seattle's Best Coffee

### COFFEE OFFERINGS SELECT UP TO THREE Selected iced coffee option can also be served hot

Starbucks Brand	<input type="checkbox"/> Pike Place	<input type="checkbox"/> Decaf Pike Place	<input type="checkbox"/> Verona	<input type="checkbox"/> Veranda <i>(used for iced or hot)</i>
Seattle's Best Coffee Brand	<input type="checkbox"/> Portside Blend <i>(used for iced or hot)</i>	<input type="checkbox"/> Decaf Portside Blend	<input type="checkbox"/> 6th Ave Bistro	<input type="checkbox"/> Post Alley Blend

### DRINK SIZES

Coffee	<input type="checkbox"/> 8oz	<input type="checkbox"/> 12oz	<input type="checkbox"/> 16oz	<input type="checkbox"/> Carafe (60oz)
Iced Coffee	<input type="checkbox"/> 16oz	<input type="checkbox"/> Not Offering		
Chai Latte	<input type="checkbox"/> 8oz	<input type="checkbox"/> 12oz	<input type="checkbox"/> Not Offering	
Hot Chocolate	<input type="checkbox"/> 8oz	<input type="checkbox"/> 12oz	<input type="checkbox"/> Not Offering	
Hot Water	<input type="checkbox"/> 8oz	<input type="checkbox"/> 12oz	<input type="checkbox"/> Not Offering	

### TECHNOLOGY OPTIONS

Add Electronic Payment Package       Yes       Not Offering

### ONGOING SERVICE WITH BUNNserve **REQUIRED** Service billing and supply purchases require a service account with BUNNserve

Do you currently have a service account with BUNNserve?	<input type="checkbox"/> Yes	If yes, please provide acct#		
	<input type="checkbox"/> No	If no, how would you like to pay for service events & supplies?	<input type="checkbox"/> Credit Card	<input type="checkbox"/> Invoice

### INSTALLATION SITE INFORMATION **REQUIRED**

Installation Site Name	Site Address <i>(full address required)</i>
Site Contact	Main Site Contact Phone #
Main Site Contact Email	Main Site Contact Fax #

**TO CONFIRM THAT YOUR SITE IS READY FOR INSTALLATION, PLEASE RETURN THIS COMPLETED FORM TO:**